

PRECISION STEREO CONTROL CENTER C-2300



Accuphase Laboratory, Inc.

1

The new C-2300 is an entirely new model that integrates the C-2000 series, the standard for separate systems, and the C-2400 series, which has gained tremendous support from music lovers as a middle-class pre-main amplifier.

C-2300 has the "Balanced AAVA" volume control circuitry in the higher-end C-2900.

In addition to the low and high frequencies, a new 4-band tone control allows adjusting the mid-low and mid-high frequencies, providing greater flexibility in adjusting the bandwidth balance. Expandability is also enhanced with two slots for the AD-60 Phono equalizer board and the DAC-60 Digital input board, making it compatible with various sound sources.

Enjoy your favorite music to your heart's content with C-2300, which has evolved by combining outstanding circuit technology with new features!

Dimensions and weight

- Almost the same size as current preamplifiers C-2450/C-2150



Accuphase Laboratory, Inc.

2

Dimensions of C-2300 are not significantly different from other preamplifiers

The weight of C-2300 is almost the same as C-2450 as well.

**Weight of C-2450: 19.0kg

All functions as a control center

- Abundant input/output terminals and functions



Accuphase Laboratory, Inc.

3

C-2300 is equipped with all the functions required for a control center.

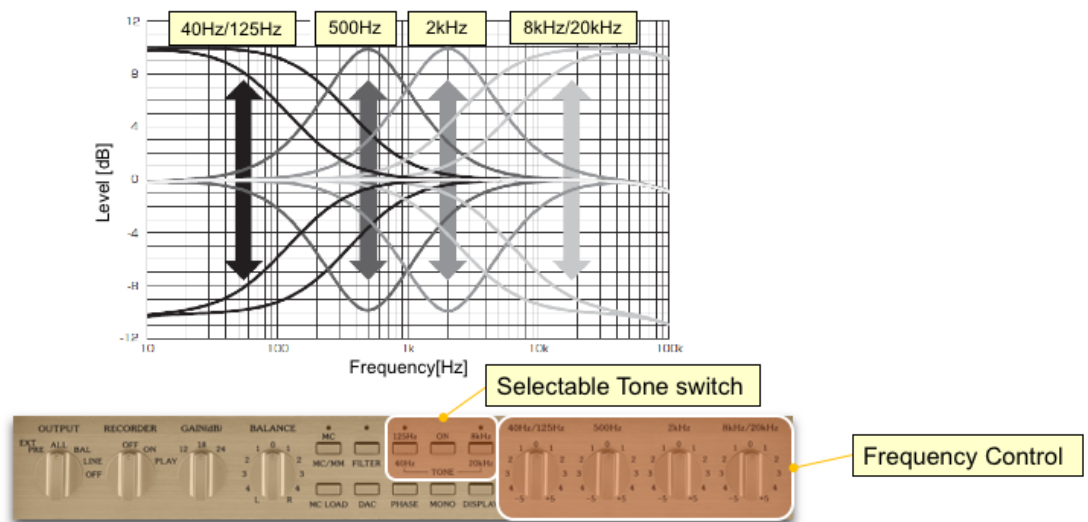
The input and output signals are typically in phase, but the phase can be inverted with the PHASE switch. The set phase is stored for each input terminal even after the power is turned off, so there is no need to redo the setting.

The EXT PRE function, which can be switched with an external preamplifier, is practical when this unit is integrated into a home theater system.

The COMPENSATOR function raises the volume of the low-frequency range when listening at low volume to improve the audible energy balance and compensate for the lack of volume in the low-frequency range.

All functions as a control center

- A 4-band tone control



Accuphase Laboratory, Inc.

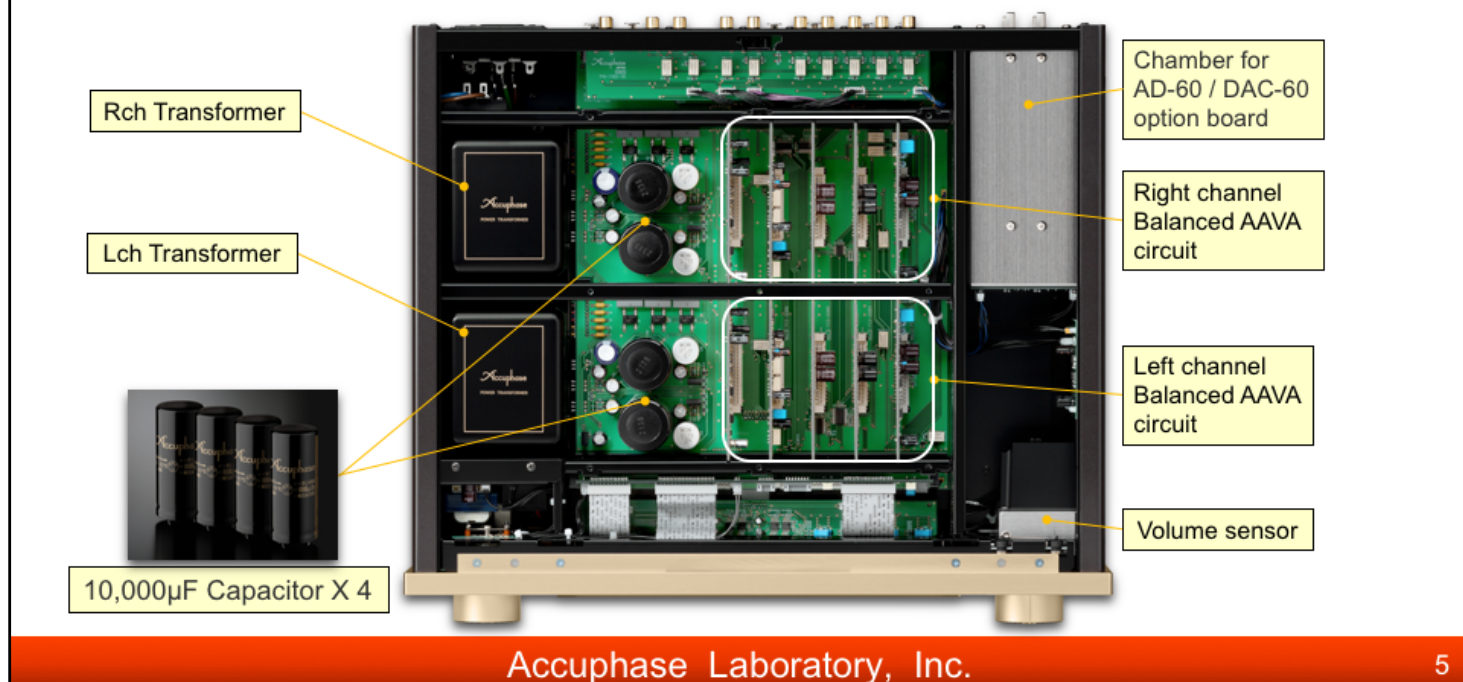
4

C-2300 also has a 4-band tone control circuit that can effectively adjust the bandwidth balance of the music signal. Considering the sound quality, the circuit uses an additive active filter in full-fledged graphic equalizers.

500Hz is effective for adjusting the strength of rhythm instruments, and 2 kHz is effective for changing the expressiveness of vocals.

In addition, the low-frequency range is selectable between 40Hz and 125Hz, and the high-frequency range between 8 kHz and 20 kHz allows the overall energy balance adjustment.

Internal view



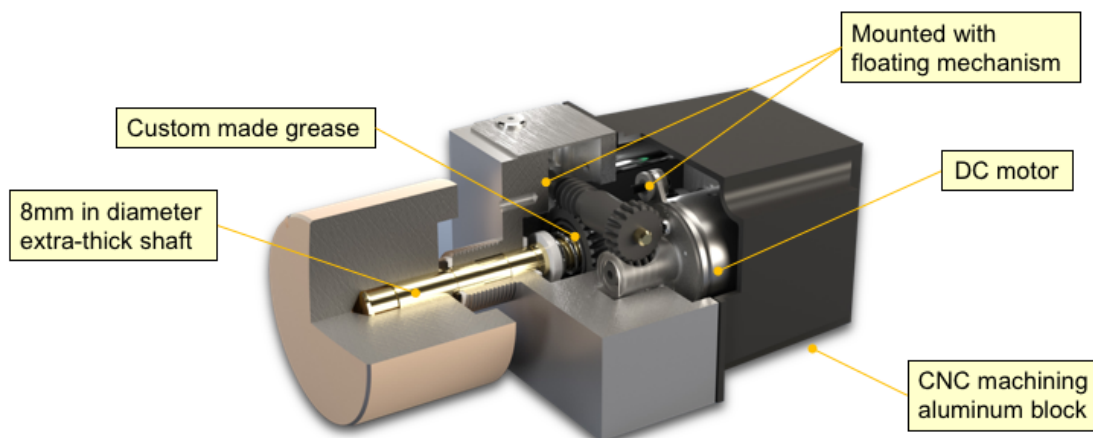
The quality of the power supply that supplies energy to the amplification circuitry significantly impacts sound quality.

This unit is equipped with two cased high-efficiency transformers.

In addition, two large-capacity 10,000 μ F filter capacitors are installed on each side to provide a generous power supply.

Volume sensor mechanism

- Distinguished operation feeling
- Reduced mechanical and motor noise



Accuphase Laboratory, Inc.

6

The music signal does not pass the volume mechanism in AAVA and also balanced AAVA. It is just a position sensor to set the sound volume.

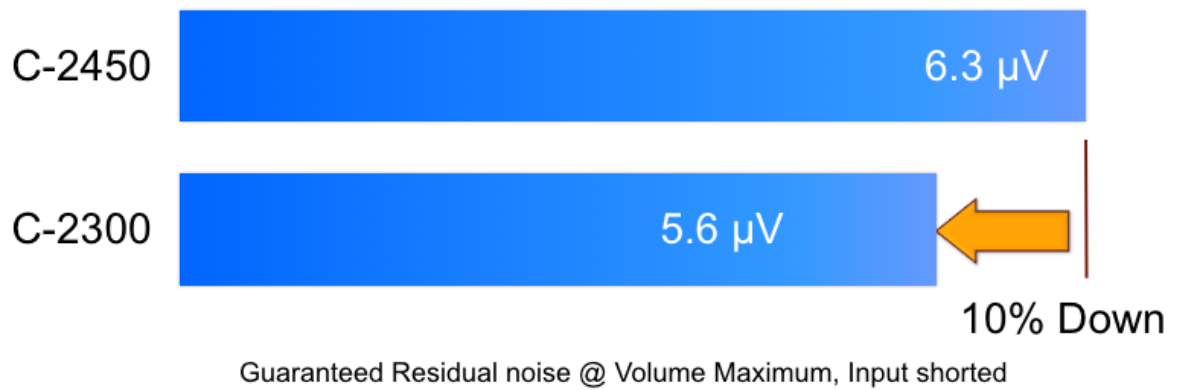
However, the feeling of the volume knob is essential for audio enthusiasts.

In the C-2300, the motor and the set of gears are mounted with the floating mechanism, and with the custom-made grease, the knob provides a smooth operation feel and super-quiet volume adjustment.

The volume sensor mechanism is floated from the chassis to block off the vibration with specially-made silicone rubbers.

Ultra low noise

- 10% lower than current model
 - Guaranteed S/N ratio: 111dB



Guaranteed Residual noise @ Volume Maximum, Input shorted

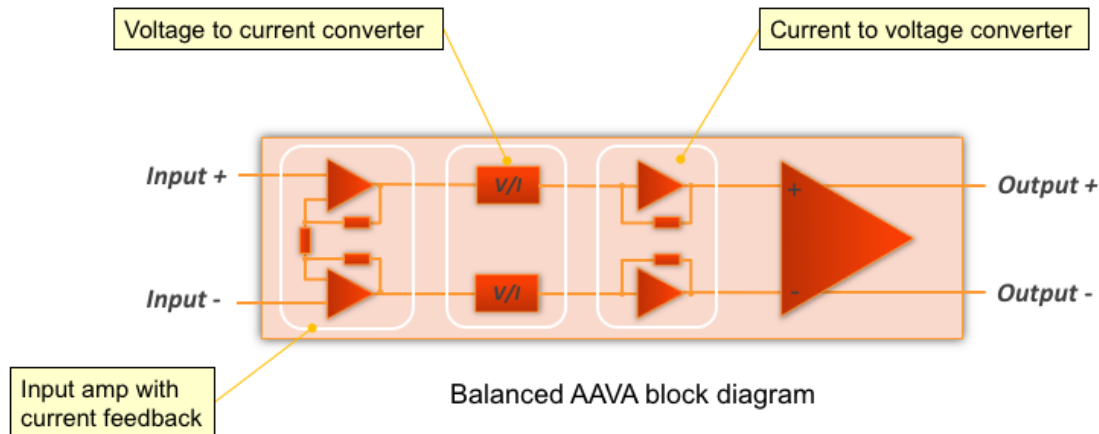
Accuphase Laboratory, Inc.

7

The Balanced AAVA principle reduces the noise level in the C-2300 to 10% lower than the former C-2450. It makes a significant improvement in sound performance.

Technology for ultra low noise

- Balanced AAVA
 - All signal paths including tone circuits are balanced



Accuphase Laboratory, Inc.

8

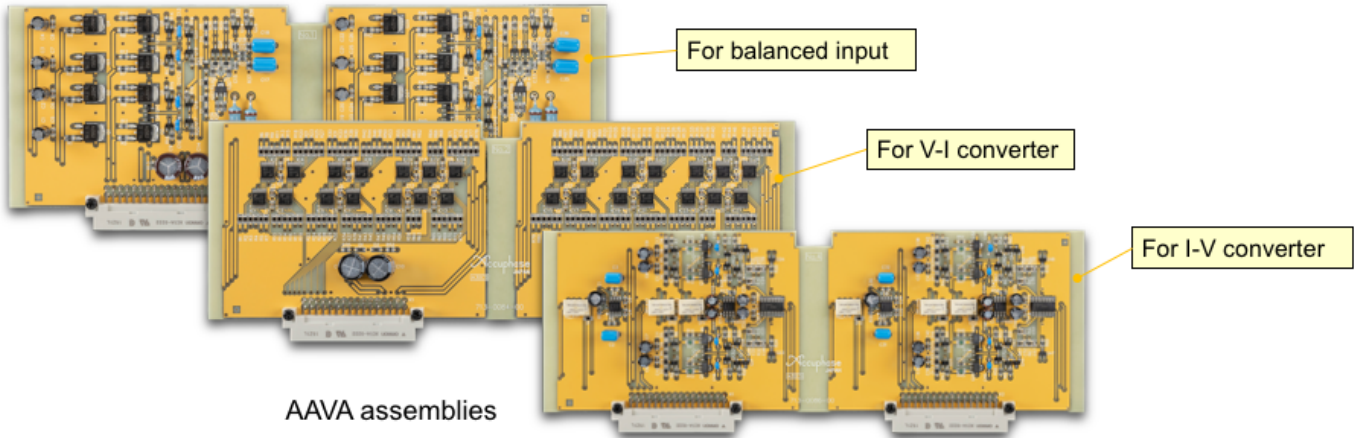
The AAVA (Accuphase Analog Vari-gain Amplifier) is a radically different volume control principle that eliminates all variable resistors from the signal path.

C-2300 employs two AAVA modules in a fully balanced configuration from input to output. It's called Balanced AAVA.

This breakthrough architecture minimizes the external or internally-initiated noise by balancing the internal signal transmissions.

Technology for ultra low noise

- All AAVA circuits made by discrete configuration
- Independent amplifier structure



Accuphase Laboratory, Inc.

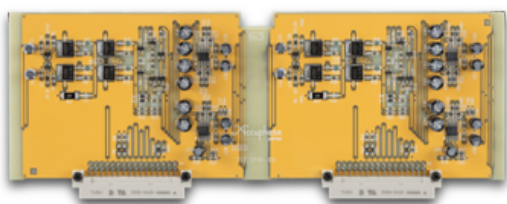
9

All AAVA Assembly boards have discrete and balanced configurations to achieve ultra-low noise characteristics.

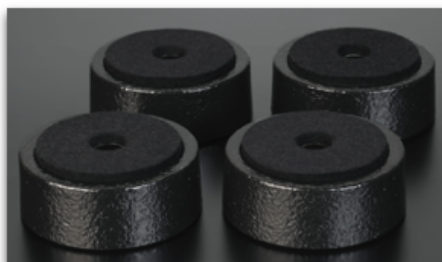
High-gained Balanced Input amp shows excellent noise performance at high volume levels.

Further more ...

- Custom components for ultimate sound quality
 - Parallel output staged High-performance Headphone amplifier
 - High-quality cast iron insulator



High performance Headphone amplifier



High carbon cast iron insulator



RC-250
Remote Commander

Accuphase Laboratory, Inc.

10

The C-2300 consists of many custom-made parts.

Discretely configured, high-quality headphone amplifier drives every single headphone worldwide, with high output current provided from the dedicated power source.

High carbon cast iron insulator is also a custom part for all Accuphase products. It suppresses unwanted vibrations and brings out the complete purity of the music.

An elegant and high-quality remote commander is supplied.

Dedicated Phono Equalizer Unit AD-60



Accuphase Laboratory, Inc.

11

The AD series Phono Equalizer unit has been newly developed.

They are not just a minor update but always thoroughly pursuing the high-performance and sophisticated sound quality that goes with the times.

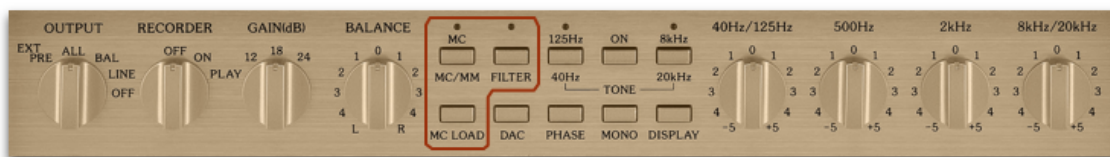
The AD-60 is no exception; it's dramatically improved its sound performance to fit perfectly with many Accuphase products, including the C-2300 pre-amp.

The MC load setting value "200 ohms" is a newly applied, high-gained AD-60 perfectly supports from the vintage masterpiece to the state-of-the-art cartridges.

The AD-60 fully reproduces the potential of Analog records and offers a beautiful discovery experience from the discs that audiophiles listen to very often.

Functions

- MC/MM cartridge type selectable
 - MC: 66dB, MM: 40dB
- Input impedance selectable
 - MC: 30, 100, 200, 300 ohm
 - MM: 47k ohm



Function buttons on C-2300 panel

Accuphase Laboratory, Inc.

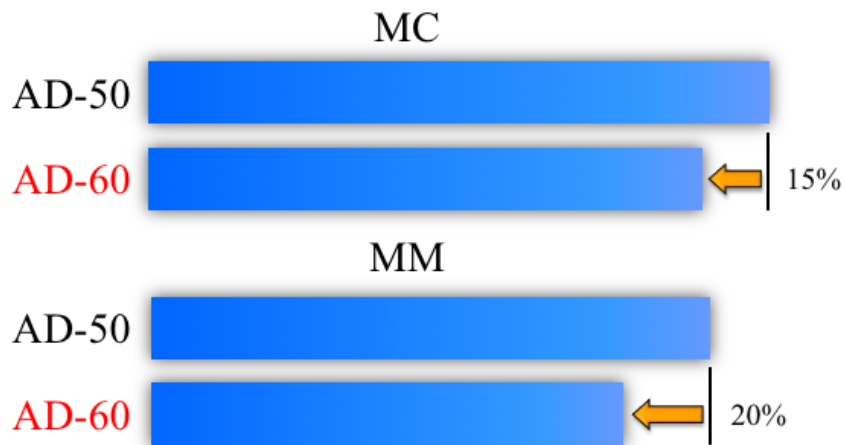
12

The gain values can be set to 66dB for MC and to 40dB for MM, And the MC Input impedance can be selected from 4 values for MC, “200 ohms” is newly added.

They are easily switchable from the C-2300’s front sub-panel. The MM input impedance is fixed to 47k ohm.

Low Power Consumption

- 15%(MC), 20%(MM) lower than the former model



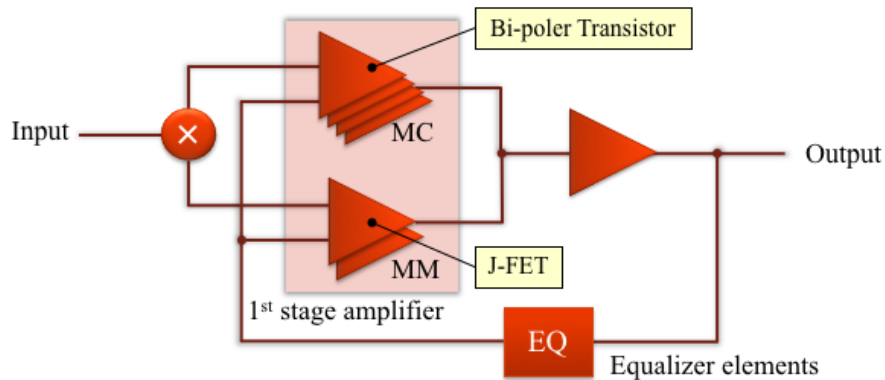
Accuphase Laboratory, Inc.

13

This is a significant reduction in power consumption: 15% lower for MC and 20% lower for MM compared to AD-50.

Technology for ultra low noise

- Superior noise characteristics close to the Phono EQ amp C-47
- Differential RIAA equalizer configuration
 - Low RIAA equalization errors: $\pm 0.5\text{dB}$ (MC 66dB)



Accuphase Laboratory, Inc.

14

The AD-60 has outstanding noise performance, with actual noise levels of 31.5uV for MC and 13.5uV for MM.

This is the same low noise performance as the AD-50 and very close to the performance of the C-47.

AD-60 switches the MC/MM setting to achieve a low noise level and RIAA equalization errors at the first stage.

MC setting: 4-Paralleled Bipolar Transistor input differential amplifier

MM setting: Paralleled Junction FET input differential amplifier

Backward compatibility

- Available model
 - C-2300, C-2150, C-2120, C-2110, C-2000, C-265, C-245, CX-260
 - E-800
 - E-5000
 - E-650, E-600, E-560, E-550, E-530
 - E-4000, E-480, E-470, E-460, E-450, E-408, E-407, E-406V
 - E-380, E-370, E-360, E-350, E-308, E-307, E-306V
 - E-280, E-270, E-260, E-250, E-213, E-212, E-211



Accuphase Laboratory, Inc.

15

AD-60 is supported not only by C-2300 but following models for backward compatibility.

C-2300,C-2150,C-2120,C-2110,C-2000,C-265,C-245,CX-260
E-800
E-5000
E-650,E-600,E-560,E-550,E-530
E-4000,E-480,E-470,E-460,E-450,E-408,E-407,E-406V
E-380,E-370,E-360,E-350,E-308,E-307,E-306V
E-280,E-270,E-260,E-250,E-213,E-212,E-211

Remarks;

With the C-2300, MC LOAD Impedance can be controlled from the front panel. For other products, it must be set by the switch on the AD-60.